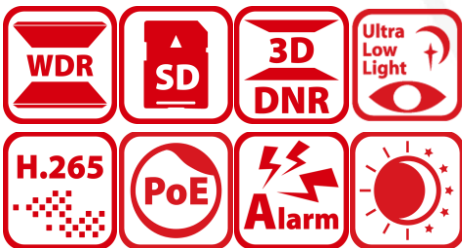


## DS-2DE4A204IW-DE(2.8-12mm) 2 MP 4 × IR Network PTZ Camera

**DarkFighter**



Hikvision DS-2DE4A204IW-DE (2.8-12mm) IR Network PTZ Camera adopt 1/1.9" progressive scan CMOS chip. With the 4 × optical zoom lens, the camera offers more details over expansive areas.

This series of cameras can be widely used for wide ranges of high-definition, such as the rivers, forests, roads, railways, airports, ports, squares, parks, scenic spots, stations and large venues.

- 1/1.9" progressive scan CMOS
- Up to 1920 × 1080 resolution
- Ultra-low light
- 4 × optical zoom, 16 × digital zoom
- WDR, 3D DNR, HLC, Smart IR
- Up to 50 m IR distance
- 12 VDC & PoE (802.3at, class4)
- Support H.265 video compression



## Specifications

| Camera Module         |  |
|-----------------------|--|
| Image Sensor          | 1/1.9" progressive scan CMOS   |
| Min. Illumination     | Color: 0.002 Lux @(F1.6, AGC ON)<br>B/W:0.0002 Lux @(F1.6, AGC ON)<br>0 Lux with IR  |
| White Balance         | Auto/Manual/ATW (Auto-tracking White Balance)/Indoor/Outdoor/Fluorescent Lamp/Sodium Lamp  |
| Gain                  | Auto/Manual  |
| Shutter Time          | 1 to 1/30,000 s  |
| Day & Night           | IR Cut Filter  |
| Digital Zoom          | 16 ×   |
| Privacy Mask          | 8 programmable privacy masks   |
| Focus Mode            | Auto/Semi-automatic/Manual   |
| 3D DNR                | Yes  |
| BLC                   | Yes  |
| WDR                   | Yes  |
| Regional Exposure     | Yes  |
| Regional Focus        | Yes  |
| Lens                  |  |
| Focal Length          | 2.8 mm to 12 mm, 4 × optical   |
| Zoom Speed            | Approx. 2.2 s (optical lens, wide-tele)  |
| Field of View         | Horizontal field of view: 83° to 31° (wide-tele)<br>Vertical field of view: 45° to 18° (wide-tele)<br>Diagonal field of view: 98° to 36° (wide-tele) |
| Working Distance      | 10 mm to 1500 mm (wide-tele)   |
| Aperture Range        | F1.5 to F2.8   |
| PTZ                   |  |
| Movement Range (Pan)  | 360° endless   |
| Pan Speed             | Configurable, from 0.1°/s to 300°/s. Preset speed: 350°/s  |
| Movement Range (Tilt) | -5° to 90°   |
| Tilt Speed            | Configurable, from 0.1°/s to 160°/s. Preset speed: 200°/s  |
| Proportional Zoom     | Yes  |
| Presets               | 300  |
| Patrol Scan           | 8 patrols, up to 32 presets for each patrol  |
| Pattern Scan          | 4 pattern scans, record time over 10 minutes for each scan   |
| Power-off Memory      | Yes  |
| Park Action           | Preset/Pattern Scan/Patrol Scan/Auto Scan/Tilt Scan/Random Scan/Frame Scan/Panorama Scan   |
| PTZ Position Display  | ON/OFF   |
| Preset Freezing       | Yes  |

|                             |   |
|-----------------------------|---|
| Scheduled Task              | Preset/Pattern Scan/Patrol Scan/Auto Scan/Tilt Scan/Random Scan/Frame Scan/Panorama Scan/Dome Reboot/Dome Adjust  |
| <b>Compression Standard</b> |   |
| Video Compression           | Main Stream: H.265+/H.265/H.264+/H.264<br>Sub-stream: H.265/H.264/MJPEG<br>Third Stream: H.265/H.264/MJPEG<br>H.264 with Baseline/Main/High Profile                           |
| Audio Compression           | G.711alaw/G.711ulaw/G.722.1/G.726/MP2L2/PCM   |
| SVC                         | Yes   |
| <b>Smart Features</b>       |   |
| Smart Event                 | Intrusion detection, line crossing detection, region entrance detection, region exiting detection   |
| Smart Record                | ANR (Automatic Network Replenishment), Dual-VCA   |
| Auto-tracking               | Yes   |
| ROI                         | Main stream, sub-stream, and third stream respectively support two fixed areas.   |
| <b>IR</b>                   |   |
| IR Distance                 | Up to 50 m  |
| IR Intensity                | Automatically adjusted, depending on the zoom ratio   |
| <b>Image</b>                |   |
| Max. Resolution             | 1920 × 1080   |
| Main Stream                 | 50Hz: 50fps (1920 × 1080, 1280 × 960, 1280 × 720)<br>60Hz: 60fps (1920 × 1080, 1280 × 960, 1280 × 720)  |
| Sub-Stream                  | 50Hz: 25fps (704 × 576, 640 × 480, 352 × 288)<br>60Hz: 30fps (704 × 480, 640 × 480, 352 × 240)  |
| Third Stream                | 50Hz: 25fps (1920 × 1080, 1280 × 960, 1280 × 720, 704 × 576, 640 × 480, 352 × 288)<br>60Hz: 30fps (1920 × 1080, 1280 × 960, 1280 × 720, 704 × 480, 640 × 480, 352 × 240)      |
| <b>Network</b>              |   |
| Network Storage             | Built-in memory card slot, support microSD/SDHC/SDXC, up to 128 GB; NAS (NFS, SMB/ CIFS), ANR   |
| Alarm Linkage               | Alarm actions, such as Preset, Patrol Scan, Pattern Scan, Memory Card Video Record, Trigger Recording, Notify Surveillance Center, Upload to FTP/Memory Card/NAS, Send Email. |
| Protocols                   | IPv4/IPv6, HTTP, HTTPS, 802.1x, Qos, FTP, SMTP, UPnP, SNMP, DNS, DDNS, NTP, RTSP, RTP, TCP/IP, DHCP, PPPoE, Bonjour   |
| API                         | ONVIF (Profile S, Profile G, Profile T), ISAPI, SDK   |
| Simultaneous Live View      | Up to 20 channels   |
| User/Host                   | Up to 32 users. 3 user levels, administrator, operator and user   |
| Security Measures           | User authentication (ID and PW), Host authentication (MAC address); HTTPS encryption; IEEE 802.1x port-based network access control; IP address filtering                     |
| Client                      | iVMS-4200, iVMS-4500, iVMS-5200   |
| Web Browser                 | IE 8 to 11, Chrome 31.0+, Firefox 30.0+, Edge 16.16299+   |

| Interface                      |   |
|--------------------------------|---|
| Audio                          | 1-ch audio input and 1-ch audio output  |
| Alarm                          | 2-ch alarm input and 2-ch alarm output  |
| Network Interface              | 1 RJ45 10 M/100 M Ethernet, PoE (802.3at, class4)   |
| General                        |   |
| Language (Web Browser Access ) | 32 languages.<br>English, Russian, Estonian, Bulgarian, Hungarian, Greek, German, Italian, Czech, Slovak, French, Polish, Dutch, Portuguese, Spanish, Romanian, Danish, Swedish, Norwegian, Finnish, Croatian, Slovenian, Serbian, Turkish, Korean, Traditional Chinese, Thai, Vietnamese, Japanese, Latvian, Lithuanian, Portuguese (Brazil) |
| Power                          | 12 VDC, 3.33A and PoE (802.3at), 42.5 to 57 VDC, 0.6A, Class4<br>Max.18 W, including Max. 5W for IR   |
| Working Environment            | Temperature: -30°C to 65°C (-22°F to 149°F), humidity: ≤ 90%  |
| Protection Level               | IP66 standard, 4000V lightning protection, surge protection and voltage transient protection  |
| Dimension                      | Φ 169 mm × 161 mm (Φ 6.65" × 6.34")   |
| Weight                         | Approx. 2.45 kg (5.40 lb.)  |

## DORI

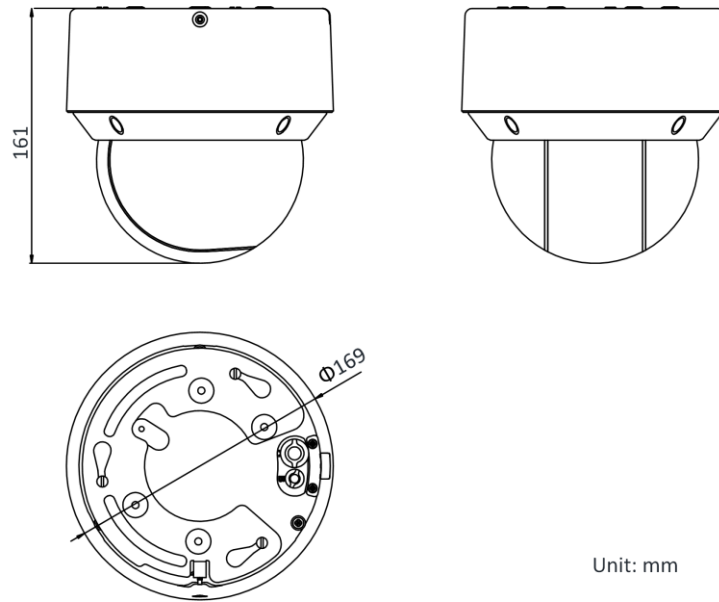
The DORI (detect, observe, recognize, identify) distance gives the general idea of the camera ability to distinguish persons or objects within its field of view. It is calculated based on the camera sensor specification and the criteria given by EN 62676-4: 2015.

| DORI            | Detect             | Observe           | Recognize        | Identify         |
|-----------------|--------------------|-------------------|------------------|------------------|
| Definition      | 25 px/m            | 63 px/m           | 125 px/m         | 250 px/m         |
| Distance (Tele) | 138.7 m (454.9 ft) | 55.0 m (180.5 ft) | 27.7 m (91.0 ft) | 13.9 m (45.5 ft) |

## Available Model

DS-2DE4A204IW-DE (2.8-12mm), 12 VDC & PoE (802.3at, class4)

**Dimensions**



**Accessory**

**Included**

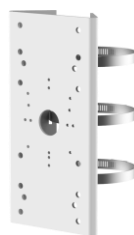


**KPL-040F-VI**  
Power adapter

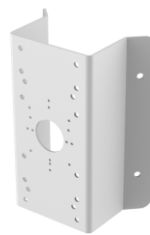
**Optional**



**DS-1605ZJ**  
Wall Mount Bracket



**DS-1275ZJ-SUS**  
Vertical Pole Mount



**DS-1276ZJ-SUS**  
Corner Mount



**DS-1691ZJ-L**  
Pendant Mount



**DS-1691ZJ-M**  
Pendant Mount



**DS-1691ZJ**  
Pendant Mount



**DS-1671ZJ-SD11**  
In-ceiling Mount Bracket



**DS-1280ZJ-SD11**  
Junction Box



**LAS60-57CN-RJ45**  
**Hi-PoE midspan**



**DS-1100KI**  
**Network Keyboard**



**DS-1005KI**  
**USB Joy-stick**

Distributed by

**HIKVISION®****Headquarters**

No.555 Qianmo Road, Binjiang District,  
Hangzhou 310051, China  
T +86-571-8807-5998  
overseasbusiness@hikvision.com

**Hikvision USA**  
T +1-909-895-0400  
sales.usa@hikvision.com

**Hikvision Australia**  
T +61-2-8599-4233  
salesau@hikvision.com

**Hikvision India**  
T +91-22-28469900  
sales@pramahikvision.com

**Hikvision Canada**  
T +1-866-200-6690  
sales.canada@hikvision.com

**Hikvision Thailand**  
T +662-275-9949  
sales.thailand@hikvision.com

**Hikvision Europe**  
T +31-23-5542770  
sales.eu@hikvision.com

**Hikvision Italy**  
T +39-0438-6902  
info.it@hikvision.com

**Hikvision Brazil**  
T +55 11 3318-0050  
Latam.support@hikvision.com

**Hikvision Turkey**  
T +90 (216)521 7070- 7074  
sales.tr@hikvision.com

**Hikvision Malaysia**  
T +601-7652-2413  
sales.my@hikvision.com

**Hikvision UK & Ireland**  
T +01628-902140  
sales.uk@hikvision.com

**Hikvision South Africa**  
Tel: +27 (10) 0351172  
sale.africa@hikvision.com

**Hikvision France**  
T +33(0)1-85-330-450  
info.fr@hikvision.com

**Hikvision Kazakhstan**  
T +7-727-9730667  
nikia.panfilov@hikvision.ru

**Hikvision Vietnam**  
T +84-974270888  
sales.vt@hikvision.com

**Hikvision UAE**  
T +971-4-4432090  
salesme@hikvision.com

**Hikvision Singapore**  
T +65-6684-4718  
sg@hikvision.com

**Hikvision Spain**  
T +34-91-737-16-55  
info.es@hikvision.com

**Hikvision Tashkent**  
T +99-87-1238-9438  
uzb@hikvision.ru

**Hikvision Hong Kong**  
T +852-2151-1761  
info.hk@hikvision.com

**Hikvision Russia**  
T +7-495-669-67-99  
saleru@hikvision.com

**Hikvision Korea**  
T +82-(0)31-731-8817  
sales.korea@hikvision.com

**Hikvision Poland**  
T +48-22-460-01-50  
info.pl@hikvision.com

**Hikvision Indonesia**  
T +62-21-2933759  
Sales.Indonesia@hikvision.com

**Hikvision Colombia**  
sales.colombia@hikvision.com